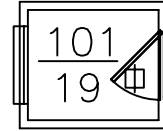
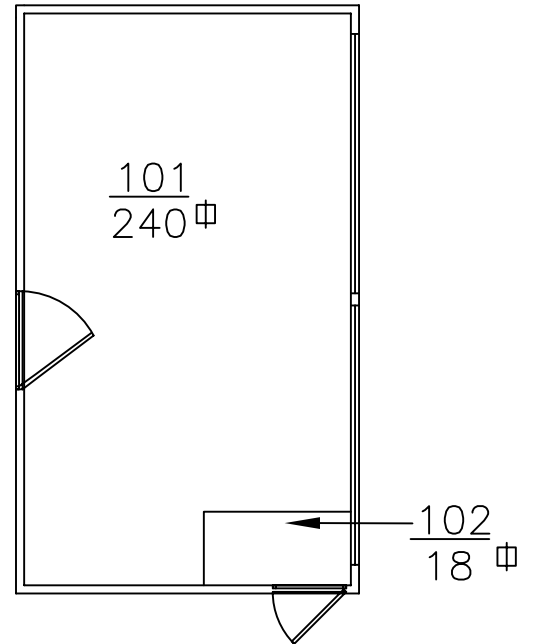


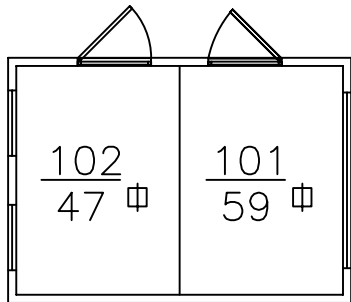
FOOTBALL FIELDHOUSE
BLDG. 39
GROSS AREA 384 \square



NORTH TICKET BOOTH
BLDG. 38
GROSS AREA 32 \square



NORTH CONCESSION STAND
BLDG. 40
GROSS AREA 311 \square



STADIUM TICKET BOOTH
BLDG. 16
GROSS AREA 140 \square



FILE NAME:
Bld.16,38,39,40

DRAWN BY:
DRL

REVISED:

WOU PLANNING OFFICE

STADIUM TICKET BOOTH
CONCESSION STAND
FOOTBALL FIELDHOUSE
NORTH TICKET BOOTH

SCALE:
NTS

GROSS AREA:
as noted

BLDG. NO.
Bld.16,38,39,40

SHEET NO.
1 of 1

WESTERN OREGON
UNIVERSITY