

WOU PLANNING OFFICE

FILE NAME:
Bld060

DRAWN BY:
DRL

REVISED:

SCALE:
NTS

GROSS AREA:
2334 SQ. FT.

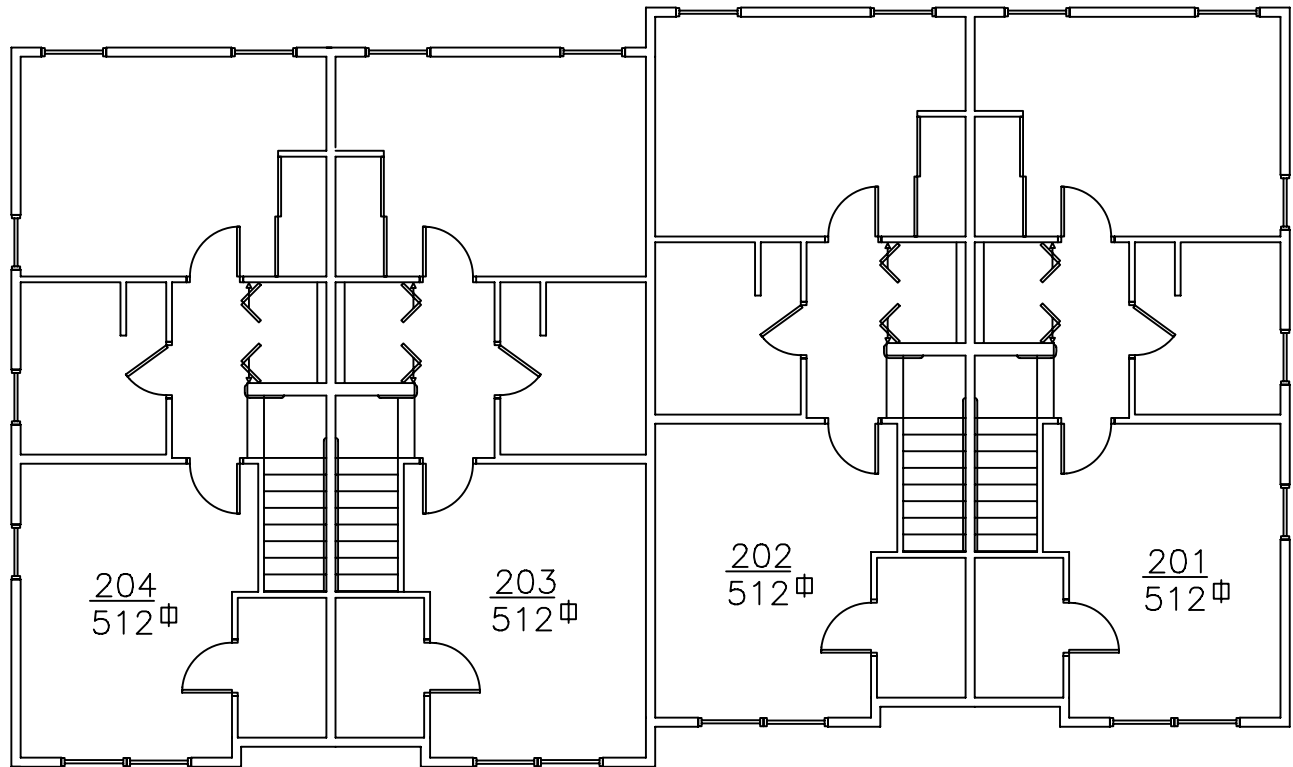
BLDG. NO.
0060

SHEET NO.
1 of 2

Alder View Townhouse

First Floor Plan

WESTERN OREGON
UNIVERSITY



FILE NAME:
Bid060

DRAWN BY:
DRL

REVISED:

WOU PLANNING OFFICE

Alder View Townhouse
Second Floor Plan

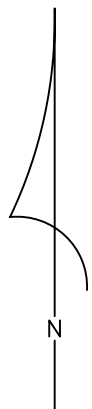
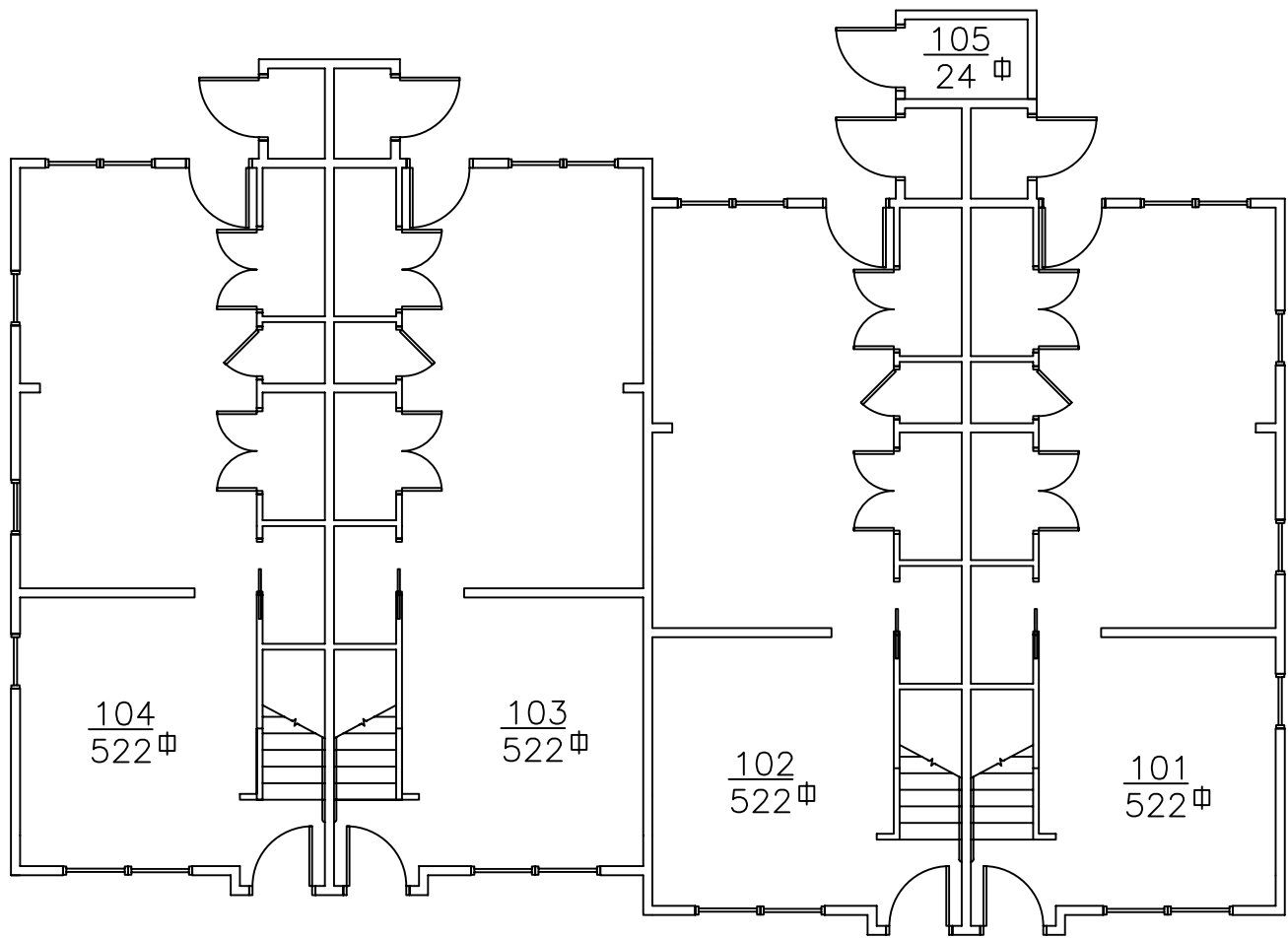
SCALE:
NTS


GROSS AREA:
2334 SQ.FT.

BLDG. NO.
0060

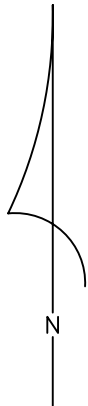
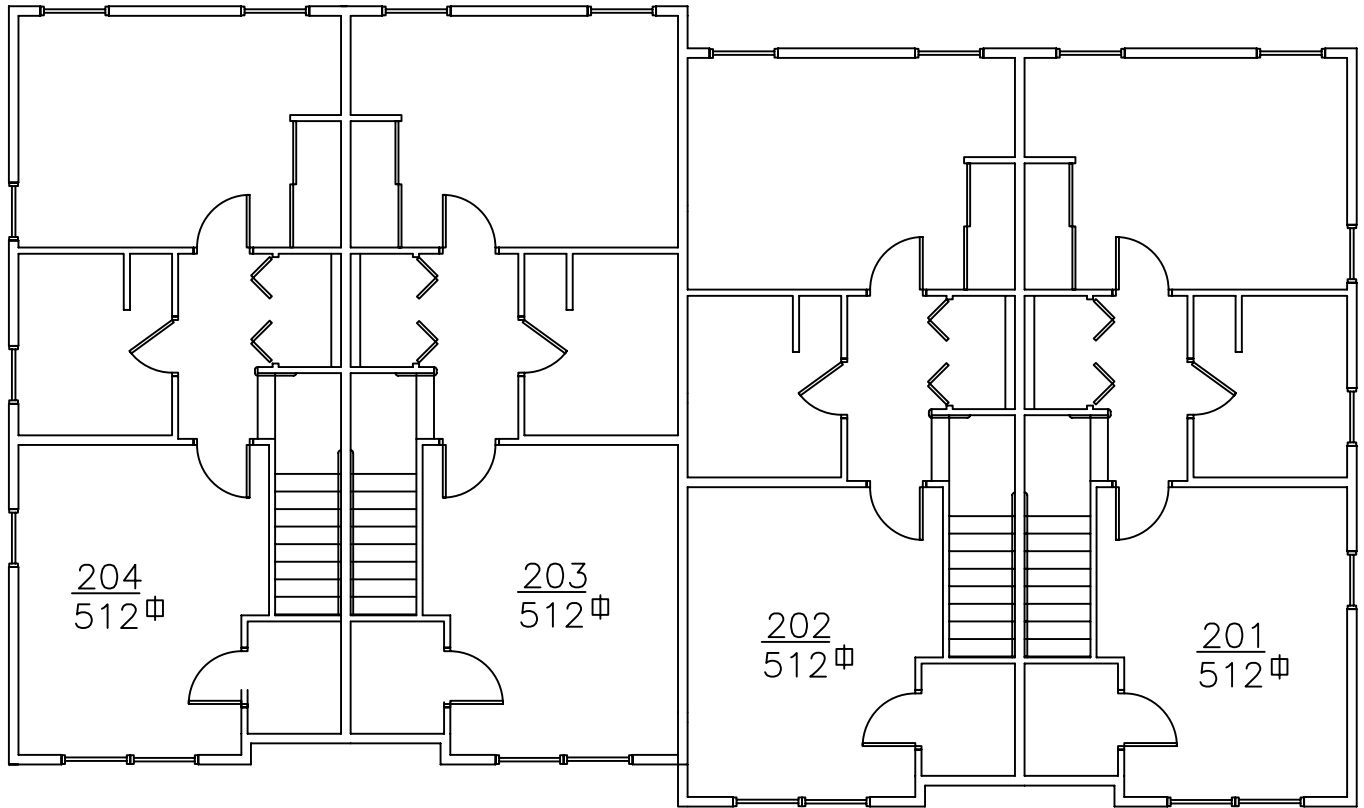
SHEET NO.
2 of 2

WESTERN OREGON
UNIVERSITY



	WOU PLANNING OFFICE					
	Alder View Townhouse First Floor Plan					
FILE NAME: Bid061	DRAWN BY: DRL	REVISED:	SCALE: NTS	GROSS AREA: 2334 SQ.FT.	BLDG. NO. 061	SHEET NO. 1 of 2

WESTERN OREGON
 UNIVERSITY



FILE NAME:
Bld061

DRAWN BY:
DRL

REVISED:

WOU PLANNING OFFICE

Alder View Townhouse

Second Floor Plan

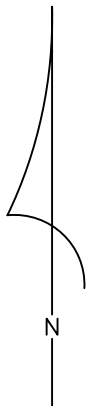
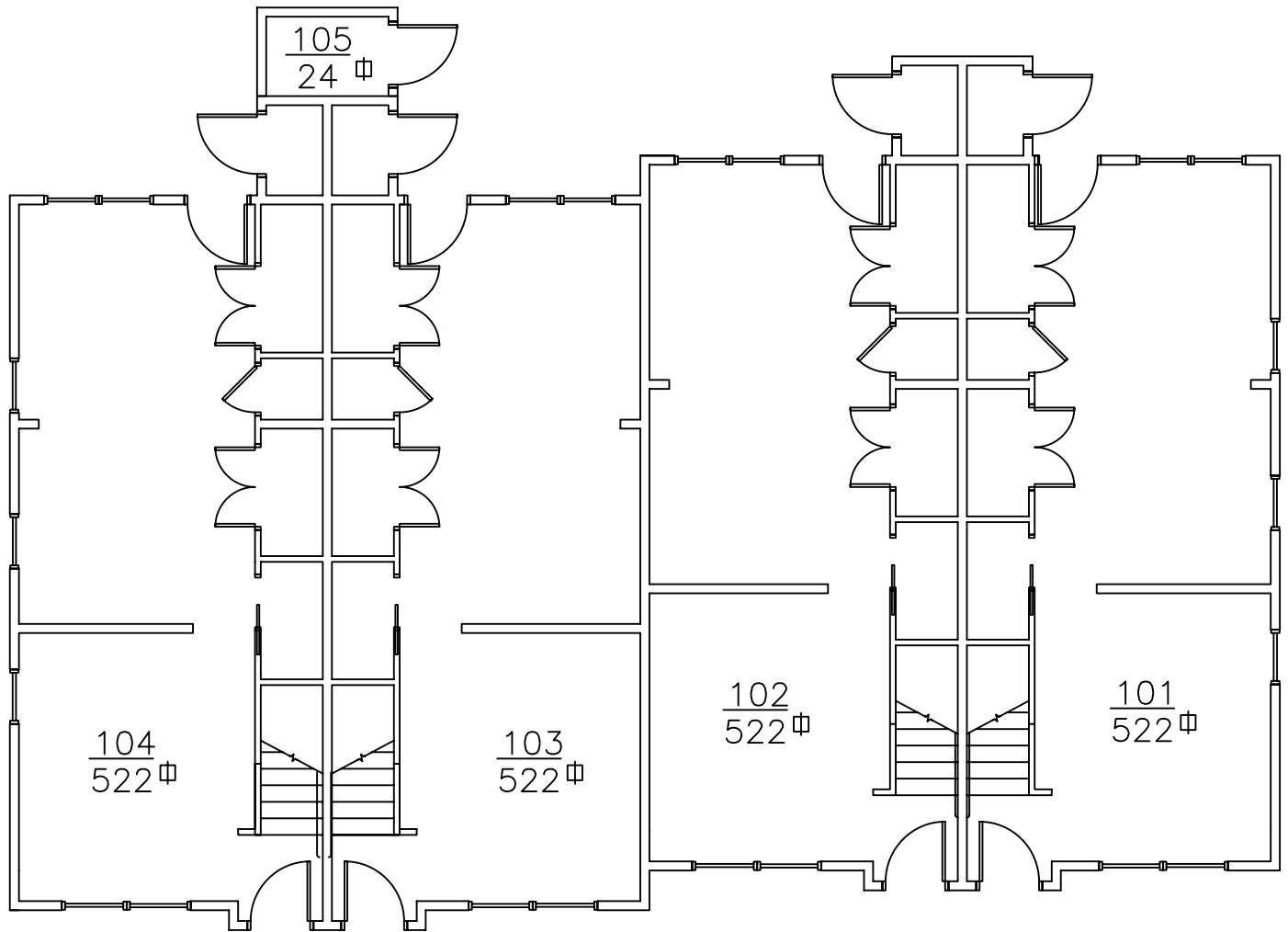
SCALE:
NTS


GROSS AREA:
2334 SQ.FT.

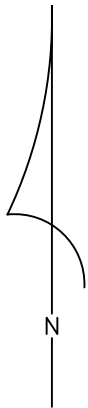
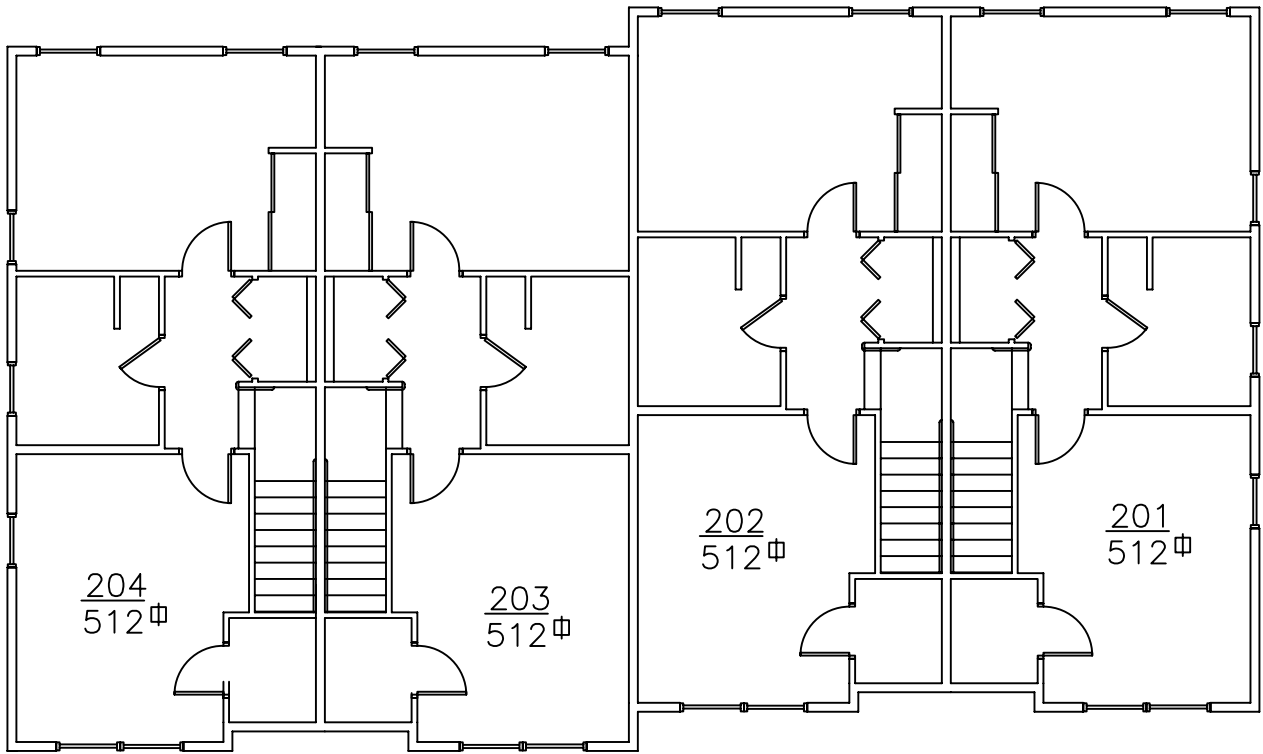
BLDG. NO.
061

SHEET NO.
2 of 2

WESTERN OREGON
UNIVERSITY



	WOU PLANNING OFFICE				WESTERN OREGON UNIVERSITY	
	Alder View Townhouse First Floor Plan					
FILE NAME: Bld62	DRAWN BY: DRL	REVISED:	SCALE: NTS	GROSS AREA: 2334 SQ.FT.	BLDG. NO. 062	SHEET NO. 1 of 2



WOU PLANNING OFFICE

Alder View Townhouse
Second Floor Plan

FILE NAME:
Bld62

DRAWN BY:
DRL

REVISED:

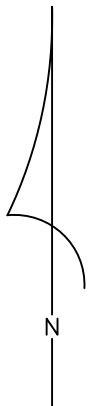
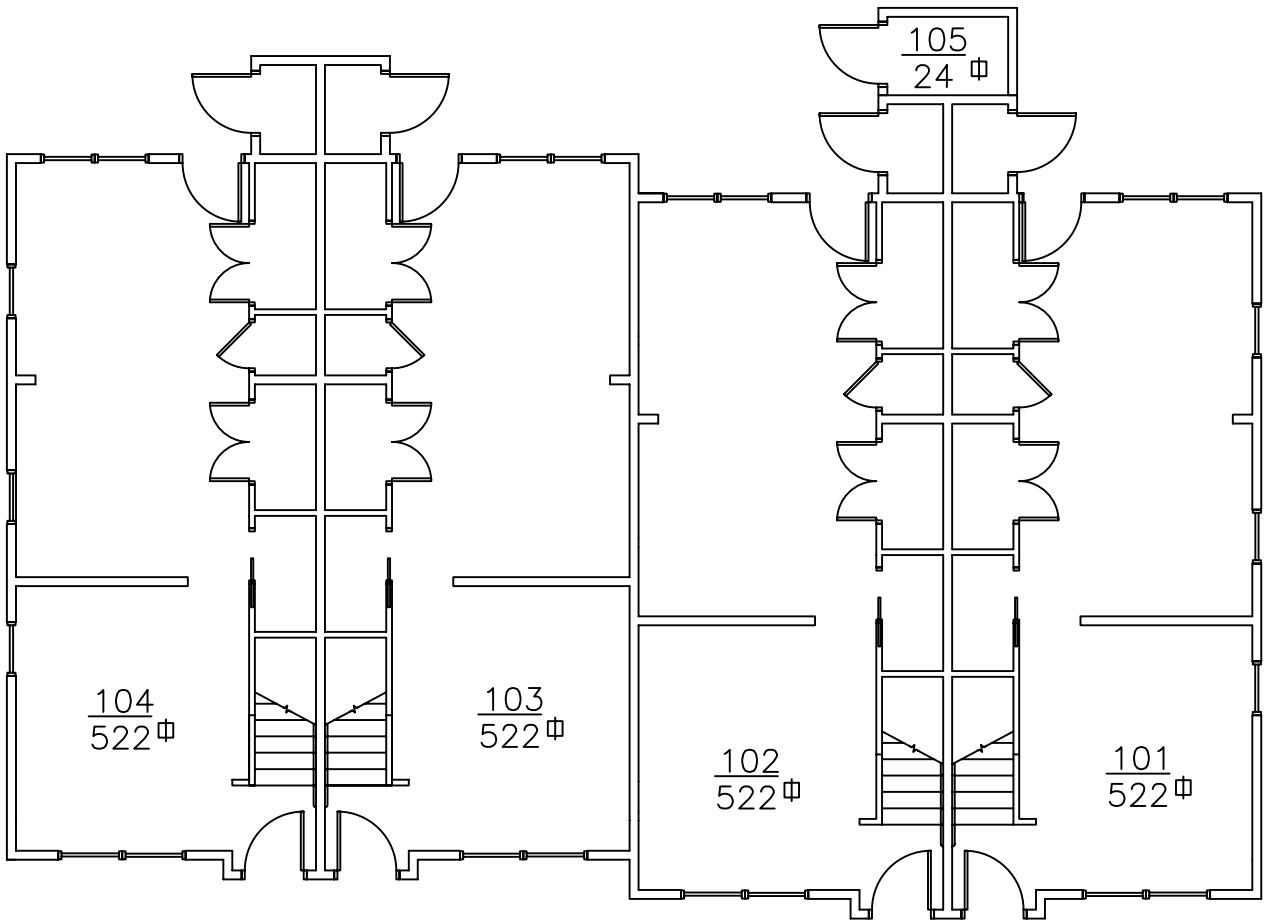
SCALE:
NTS


GROSS AREA:
2334 SQ.FT.

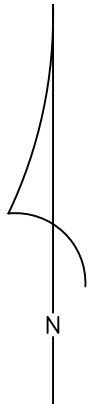
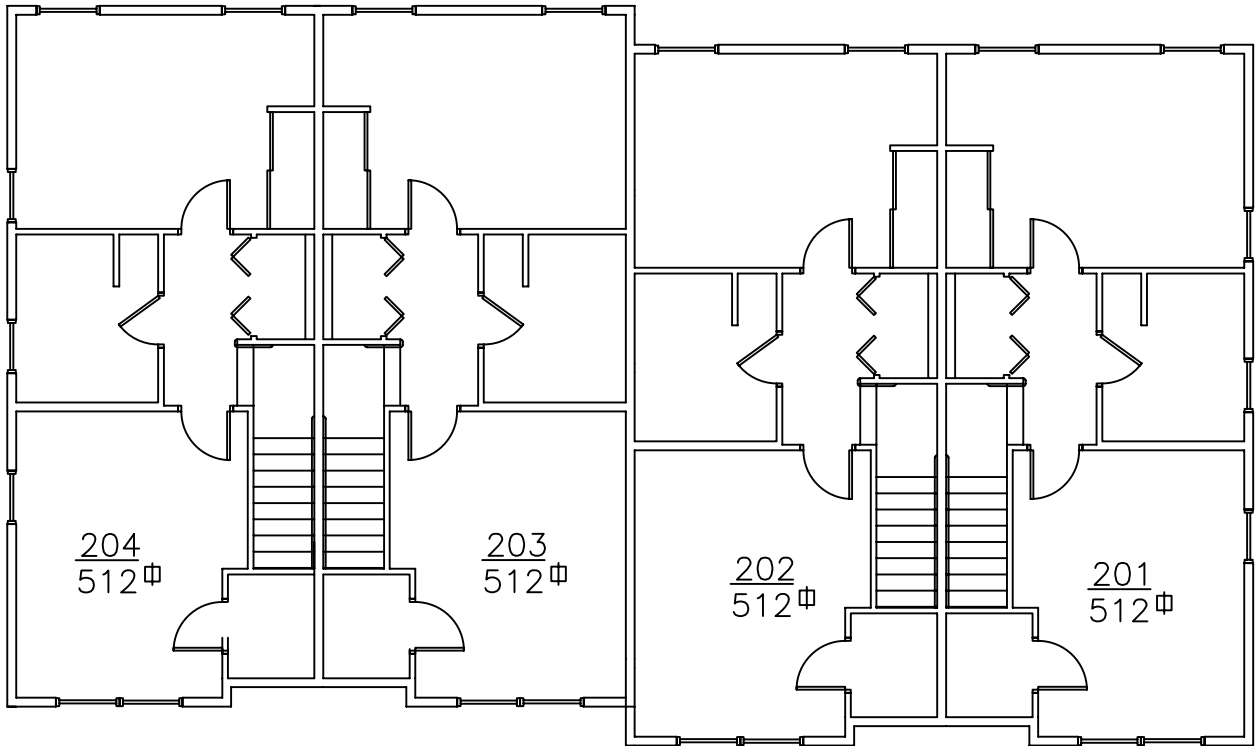
BLDG. NO.
062

SHEET NO.
2 of 2

WESTERN OREGON
UNIVERSITY



	WOU PLANNING OFFICE					
	Alder View Townhouse First Floor Plan					
FILE NAME: Bld63	DRAWN BY: DRL	REVISED:	SCALE: NTS	GROSS AREA: 2334 SQ.FT.	BLDG. NO. 063	SHEET NO. 1 of 2
WESTERN OREGON UNIVERSITY						



WOU PLANNING OFFICE

Alder View Townhouse
Second Floor Plan

FILE NAME:
Bld63

DRAWN BY:
DRL

REVISED:

SCALE:
NTS

GROSS AREA:
2334 SQ.FT.

BLDG. NO.
063

SHEET NO.
2 of 2

WESTERN OREGON
UNIVERSITY